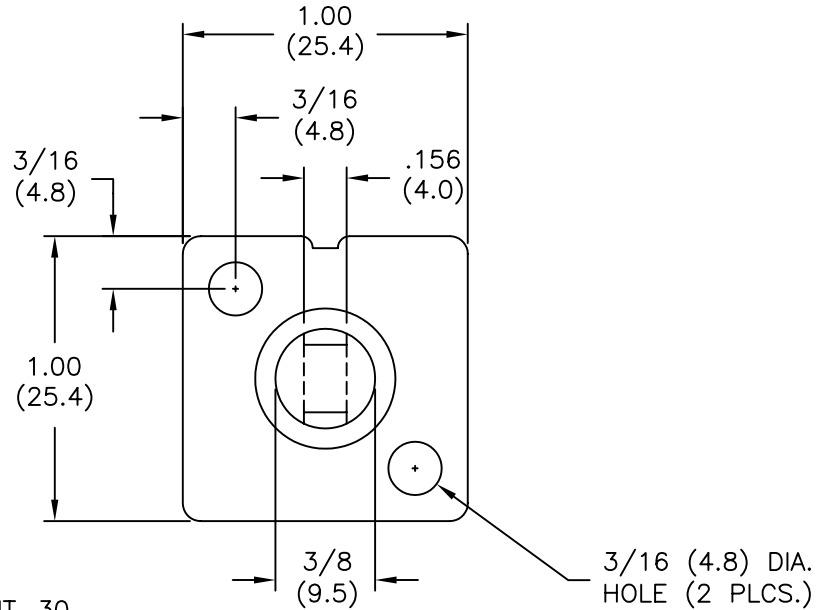


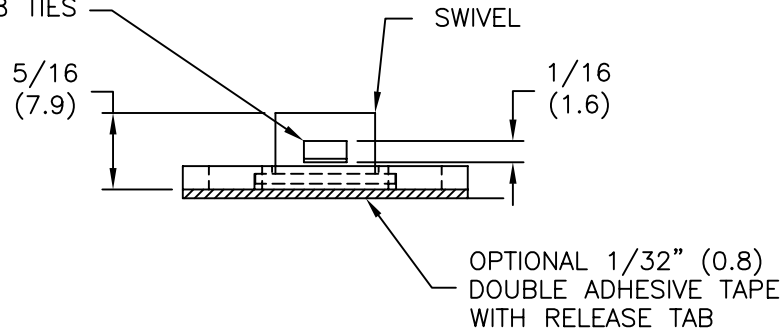
PART NO.	MATERIAL	COLOR	ADHESIVE
FTH-4-01	NYLON 6/6 (RMS-01)	NATURAL	NONE
FTH-4A-RT			ACRYLIC TAPE (RMS-15), WHITE LINER



ACCOMMODATES WIT-18, WIT-30,
WIT-40, AND QTE-18 TIES

NOTES:

- UV STABILIZED NYLON 6/6, (RMS-46).
COLOR: BLACK,
ACRYLIC ADHESIVE TAPE (RMS-15), WHITE LINER,
AVAILABLE BY SPECIAL ORDER ONLY;
TO ORDER USE P/N FTH-4A-RT-UVB
OR FTH-4-UVB (WITHOUT TAPE).



G	SEE ECN #1124 FOR CHANGES	SK 01.24.06	TITLE: FLAT TIE HOLDER			⊙	⊞	DWG IN	QR
F	COMPLETELY RE-DRAWN & CHANGED FILE#	SM 10.18.01						IN (MM)	
E	REMOVED TABLE & CHANGED NOTE 3.	SM 01.31.01	TOLERANCES UNLESS NOTED	FILE # FTH-4	DWN: P.B.	APP:		FINAL	
D	DIM C UPDATED TO 5/16 (7.9)	MB. 9.18.00	.XX=±.010	MAT'L: SEE NOTES	DT: 06-29-94	DT:		PART #	PRINT TYPE
C	RUBBER TAPE (RMS-102) ADDED	J.L. 8.22.00	.XXX=±.005	RE: RICHCO, INC.	RICHCO INC.		SEE TABLE	CA	
B	MAT'L NOTES ADDED	J.L.1.4.00	FRAC=±1/64	PO BOX 804238, CHICAGO, 60680		(773) 539-4060			
A	CONVERTED TO ACAD	PB 06.29.94	ANG=±1'						
REV	DESCRIPTION	ENGR DATE							